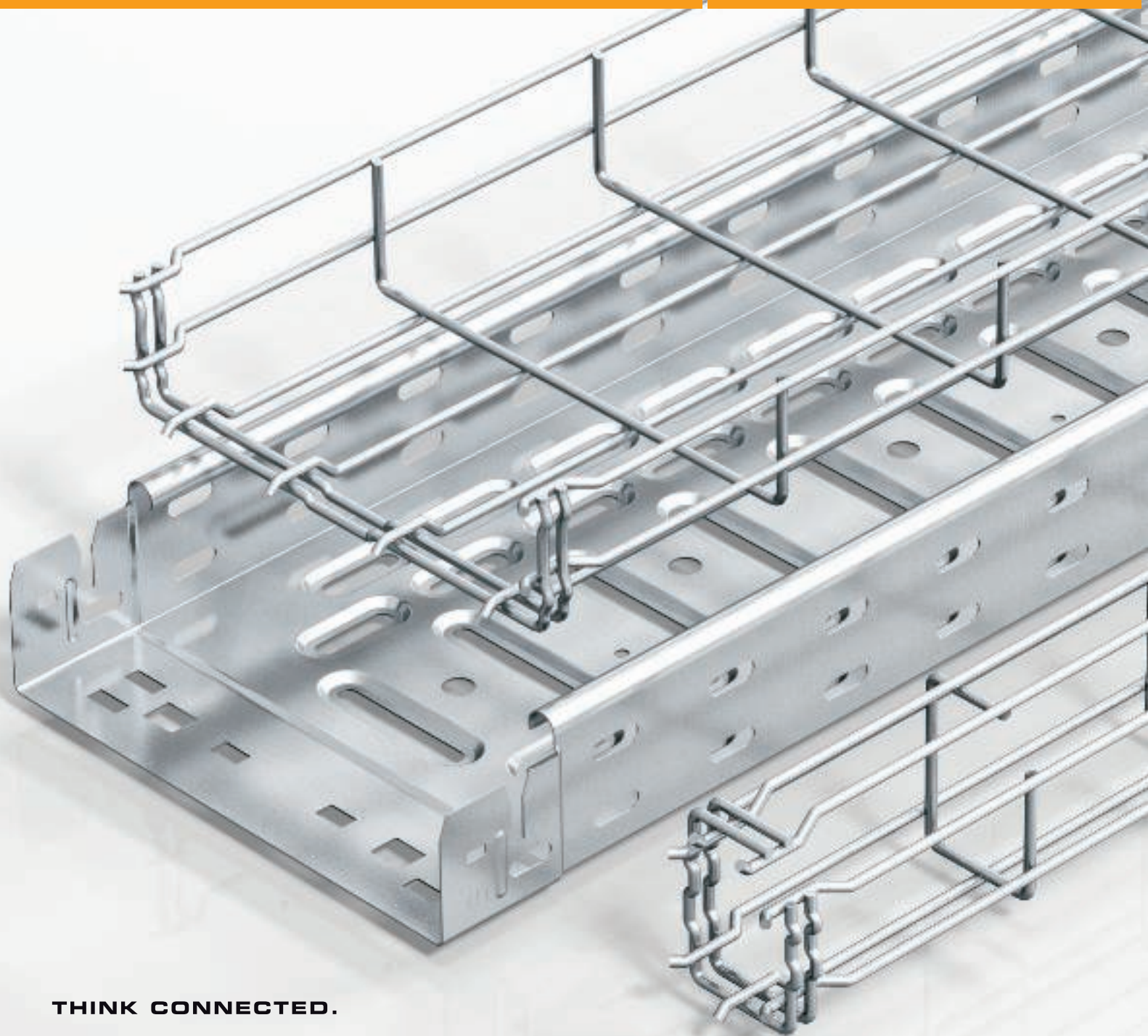


**The evolution of a revolution:
The Magic systems from OBO**



THINK CONNECTED.



**Developed by our best engineers.
Installed by countless technicians around the world.
Discover the evolution of the Magic principle.**

The principle of simplicity

All the OBO Magic systems share the same principle: The connection of cable trays or mesh cable trays through attachment. This ensures appropriately simple, quick and safe installation on the building site.

The principle of variety

Because you can never have enough of a good thing, we have continuously expanded our Magic product range. It stretches from the RKS-Magic® mesh cable tray, through the GR-Magic® mesh cable tray, up to the G Magic mesh cable tray in a wide range of dimensions, materials and surface variants.

For you this means: We have the right Magic system for practically any application.

The principle of evolution

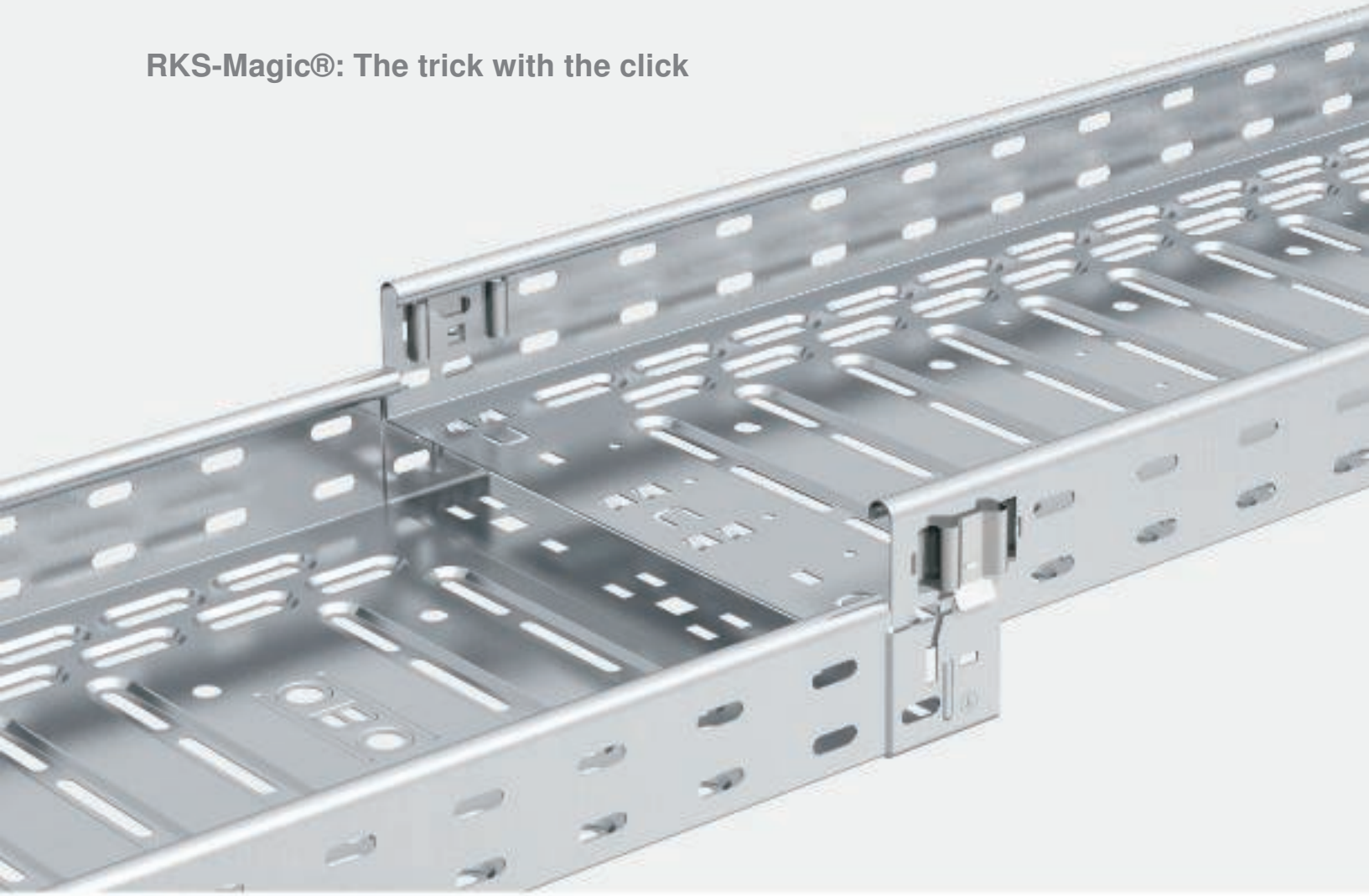
In the beginning was a good idea. Now it has become the driving force for a whole family of products. With special brackets, universal, connectable separating retainers and many other practical components, we pursue a clear aim – to make your work as simple as possible at all times!



Simplicity meets variety: That is our "Magic principle".



RKS-Magic®: The trick with the click



Speed

Place in position. Lock in. Done. The intelligent connection of the RKS-Magic® allows you to increase your mounting output considerably. The clearly audible "Click" sound of the captured spring element signals locking to you, and thus a secure connection to accept loads.

You can open the connection simply using a screwdriver.

Mechanical safety

The construction of the connection ensures a tidy transition at the joints – even at full loads. This provides perfect protection of cables. Shakes and vibrations have no effect on the secure connection.

Electrical safety

RKS-Magic® cable trays guarantee permanent, safe equipotential bonding without additional components and reliable protection against electromagnetic interference. All the components are tested for EMC and impulse currents. VDE-tested to DIN EN IEC 61537:2007.

Safety in case of fire

You can also rely on RKS-Magic® for really tough work: The system has been tested for MPA function testing to DIN 4102-12.

The system can support loads of 20 kg/m up to a width of 300 mm and 30 kg/m is approved for widths of 400 mm. There is no need for threaded rod locking of the brackets.



IT'S
MAGIC

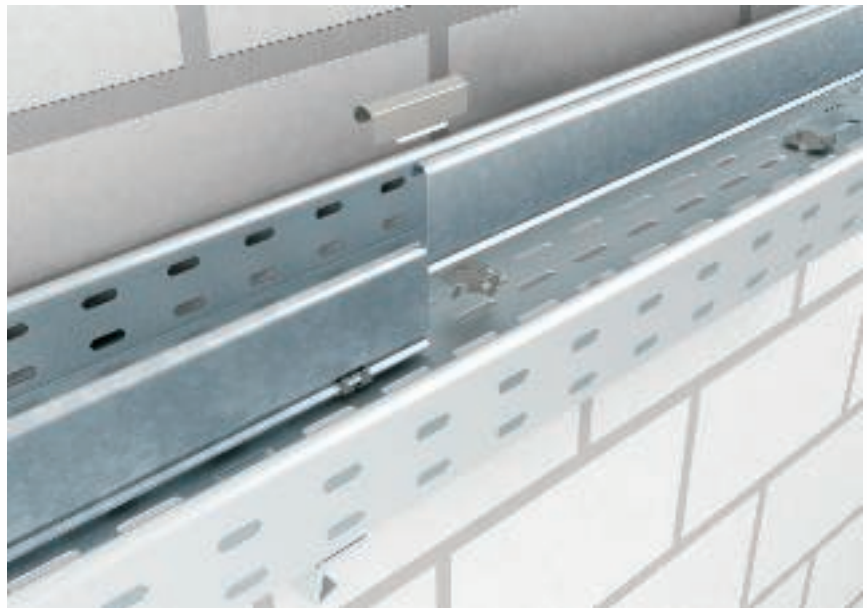


One separating retainer for every cable support system

Whether on cable trays or mesh cable trays, on cable ladders or wide span systems – the separating retainer can be mounted with just a few actions and without the need for bolts. Simply attach the appropriate clamping piece to the base of the cable support system and lock on the separating retainer. The additional straight connection of the separating retainers can be achieved easily, simply by attaching the quick connector. For the RKS-Magic® systems, the separating retainer can be used in the heights 35, 45 and 60 mm.

No height offset at the joint

The special construction of the RKS-Magic® means that there is no height offset at the joints. The separating retainer can be tidily mounted over the joint.



Always in use



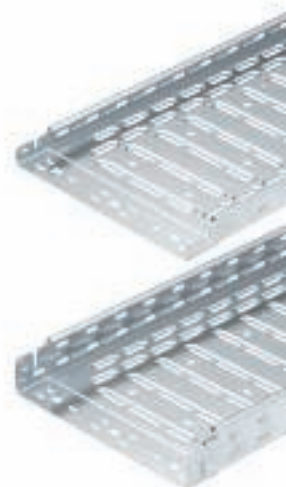
Versions for different areas of application

The RKS-Magic® is available with different surfaces and materials for different applications:

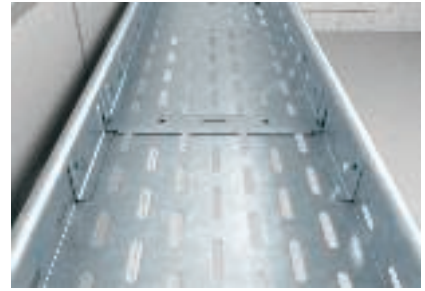
- Strip galvanised
- Stainless steel V2A 1.4301
- Stainless steel V4A 1.4571
- Powder coated in colours Versions in all standard RAL colour shades

Two heights, seven widths

The cable trays of the RKS-Magic® system are available in side heights of 35 mm and 60 mm and in various widths. This means you can react flexibly to different installation tasks with a single system.



A brilliant idea meets variety: The RKS-Magic® system



Bracket with quick fastening

We have matched our mounting systems perfectly to the RKS-Magic® system: With the quick fastening set included with the bracket, type MWAM 12, you can fasten cable trays quickly and tidily on the bracket. After positioning the cable tray, a simple 90° turn of the quick fastening set fixes the cable tray, and tightening the screw provides permanent fastening. The chore of screwing things together with a fastening element, which consisted of at least two parts, has become a thing of the past.

Fittings

A comprehensive range of fittings with 45° and 90° bends, T junctions, intersections, mounting/branch pieces, extension bends and articulated bends completes the system. All the components are available in a galvanised version and in stainless steel.



System accessories

Comprehensive system accessories are the basis for tidy installation down to the last detail, for example:

- Quick connector set for cut cable trays
- Mounting plates
- Floor end plates
- Covers

The GR-Magic® mesh cable trays make your work easier



Speed

Place in position. Lock in. Done. Use the GR-Magic® connection system, developed and patented by OBO, to create straight connections in seconds. You require neither tools nor connection components.

Mechanical safety

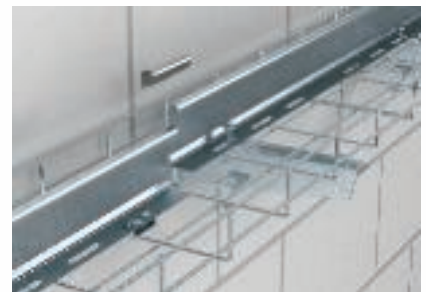
Comprehensive load tests have confirmed that: GR-Magic® systems can match systems with traditional screw connections with regard to stability and load capacity.

Electrical safety

GR-Magic® mesh cable trays guarantee permanent, safe equipotential bonding without additional components and reliable protection against electromagnetic interference. All the components are tested for EMC and impulse currents.

Safety in case of fire

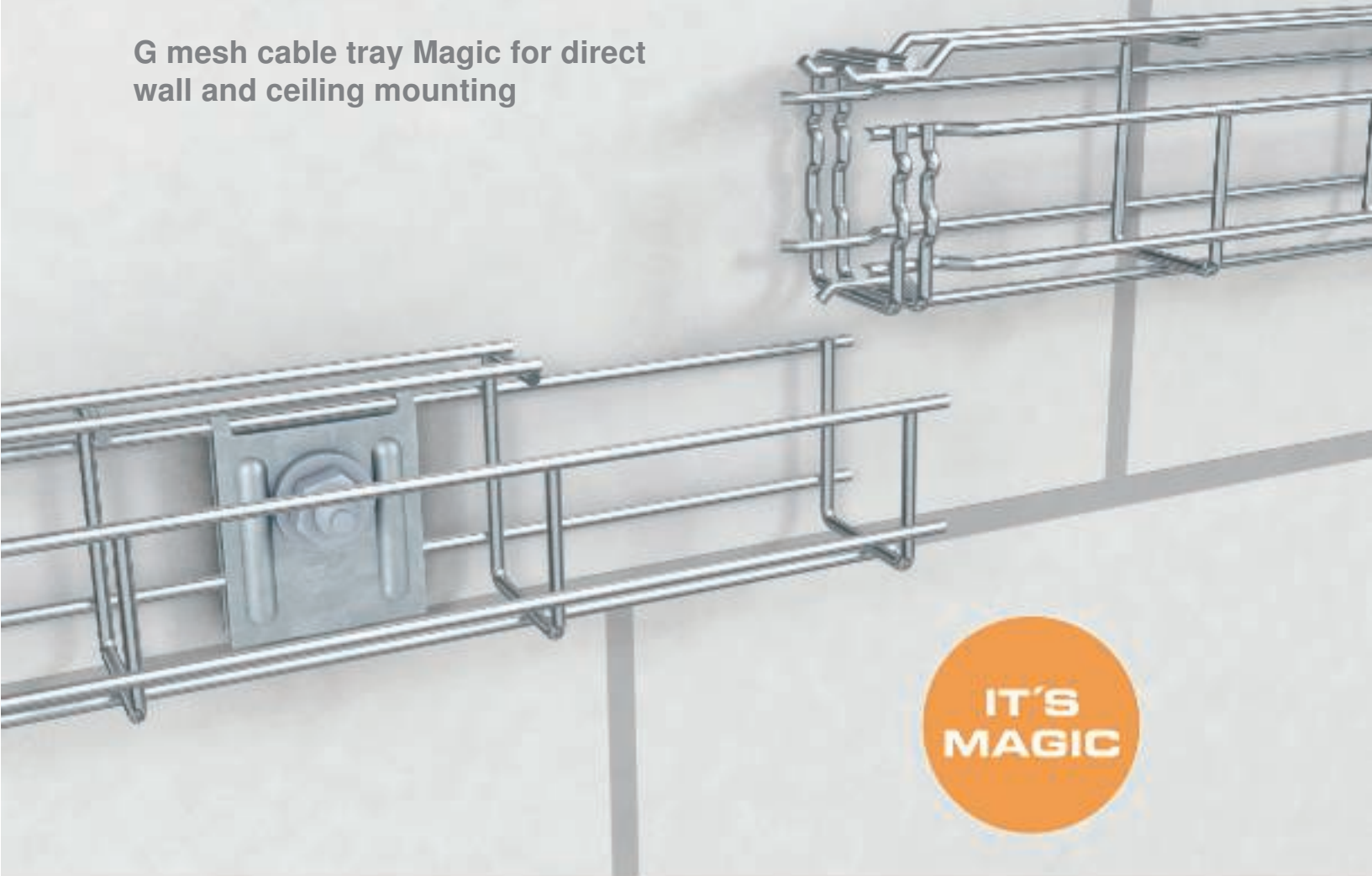
The GR Magic® mesh cable tray system has impressively demonstrated its stability in a fire test, meeting the standards of DIN 4102-12.



One separating retainer for every cable support system

Whether on cable trays or mesh cable trays, on cable ladders or wide span systems – the separating retainer can be mounted with just a few actions and without the need for bolts. Simply attach the appropriate clamping piece to the base of the mesh cable tray system and snap on the separating retainer. Additional straight connection of the separating retainers is made easy by simply attachment of the quick connector.

G mesh cable tray Magic for direct wall and ceiling mounting



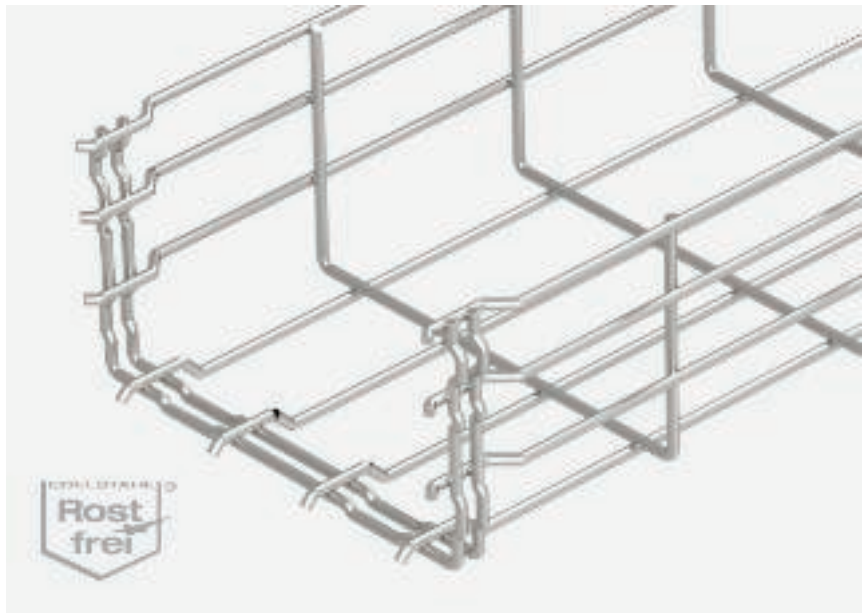
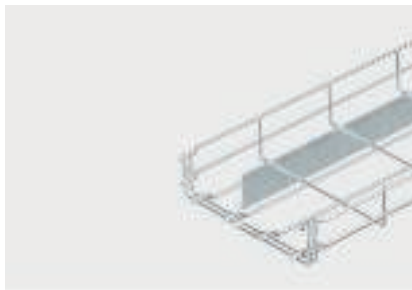
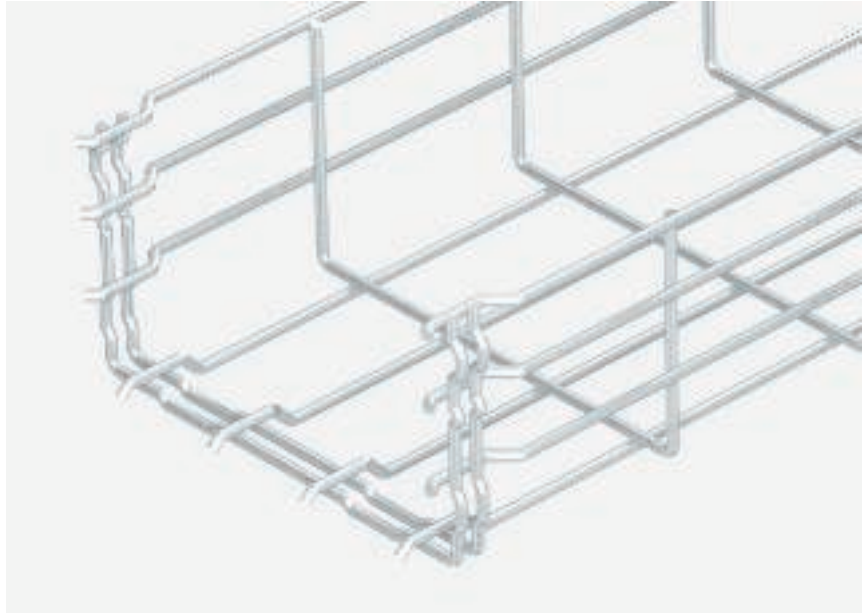
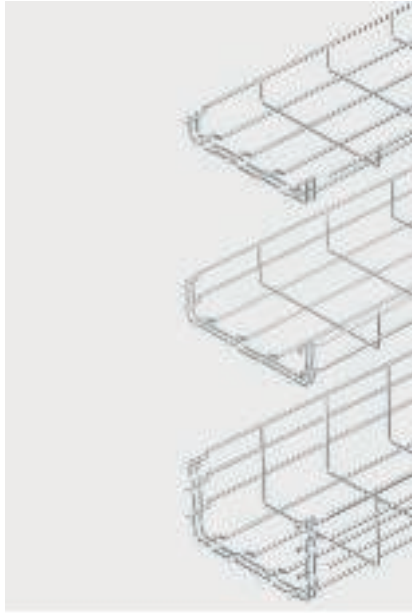
Optimum room usage

Even when space is tight, the versatile mesh cable tray can be mounted almost anywhere. The G-GRM can be attached directly to walls and ceilings in almost any position. It can thus offer optimum space exploitation in false ceilings, server rooms and office buildings.

Versatile material

Dry rooms, wet rooms, outdoor areas, the food industry or tunnel construction – the G mesh cable tray Magic has the right surface for any area. The product range runs from electrogalvanised through hot-dip galvanised right through to stainless steel variants. Flexible solutions for all kinds of applications.

The GR-Magic® range



Three heights, seven widths

The mesh cable trays of the GR-Magic® system are available in side heights of 35 mm, 55 mm and 105 mm, and in various widths. In addition, you'll find our product range contains variants with one or two welded separating

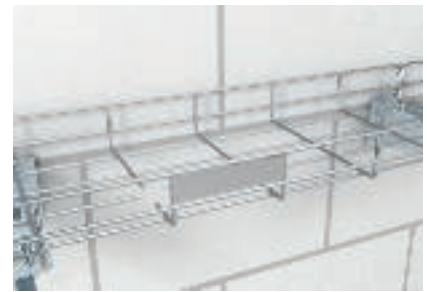
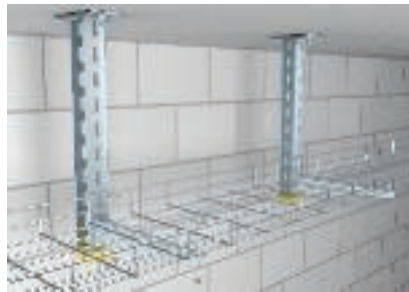
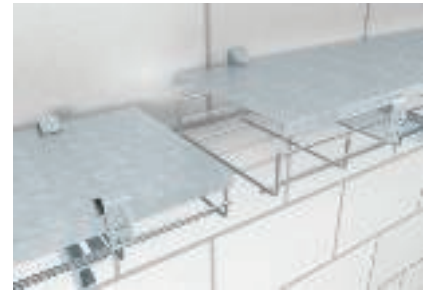
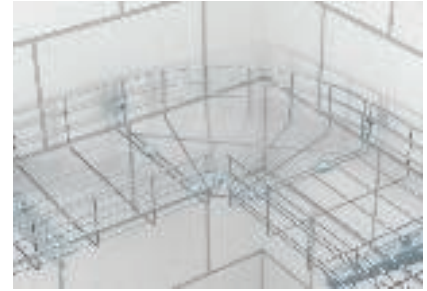
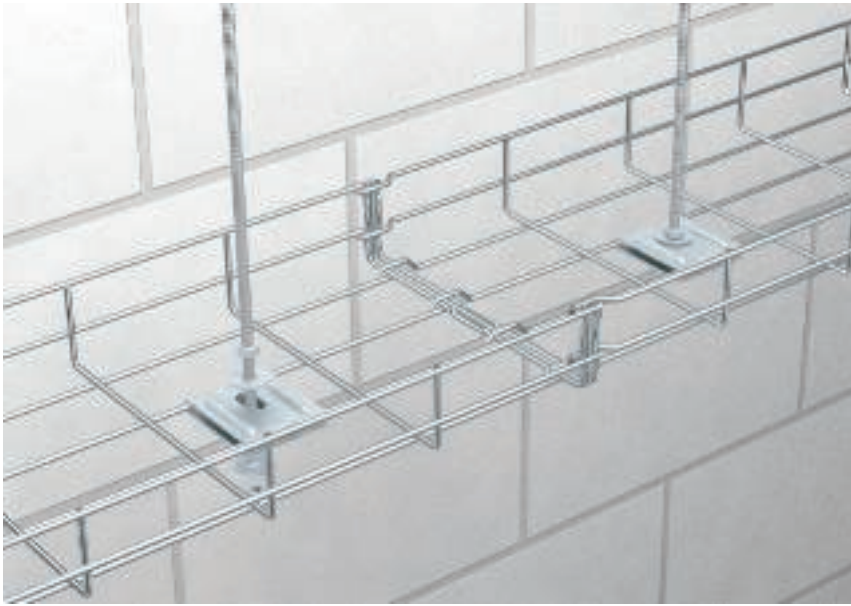
Galvanised or stainless steel

GR-Magic® mesh cable trays are available in five material and surface variants:

- hot-dip galvanised
- Electrogalvanised
- Hot-dip galvanised
- Stainless steel V2A 1.4301
- Stainless steel V4A 1.4401

This means that you are well equipped for applications in almost any environment.

Consistently thought through: GR-Magic® system accessories



Consistently efficient in mounting

Many well-thought-out system components ensure efficient mounting – from the boltless straight connector through to the appropriate wall and support bracket. Fittings, such as bends in variable radii or T pieces, can be created with just a few actions. This is perfection in almost any mounting situation.

Comprehensive accessories

The GR-Magic® system includes various accessory components, which permit tidy, efficient installation down to the last detail.

www.obo-bettermann.com



OBO Bettermann GmbH & Co. KG

PO Box 1120
58694 Menden, Germany

Customer Service Germany

Tel.: +49 (0)2373 89-1500
Fax: +49 (0)2373 89-7777
E-mail: info@obo.de

© OBO BETTERMANN Order no. 9163877 07/2010 EN

THINK CONNECTED.